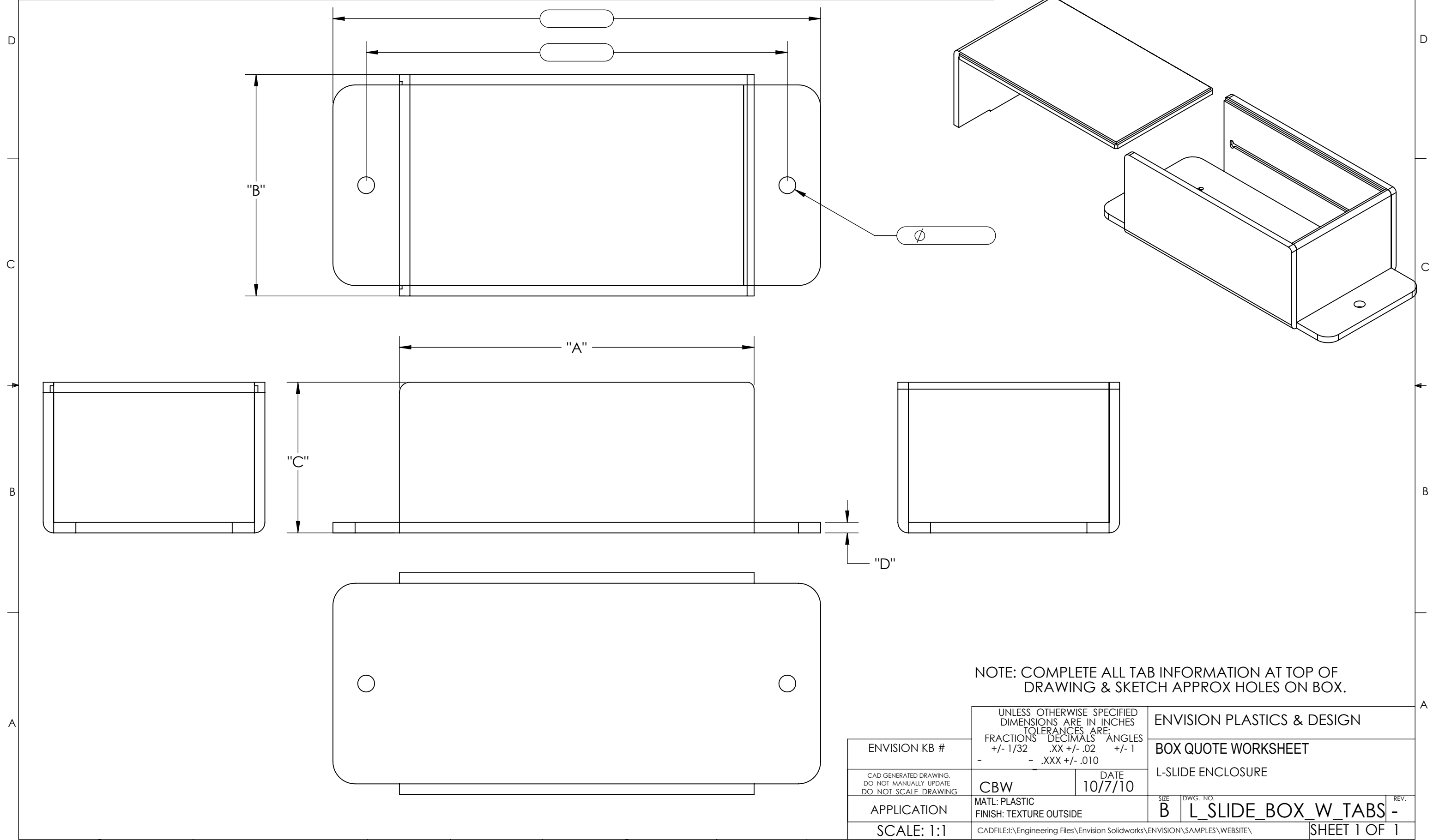


8	7	6	5	4	3	2	1			
MATERIAL TYPE (ABS, HIPS, ETC)	COLOR (BLACK, GRAY, ETC)	"A" BOX LENGTH	"B" BOX DEPTH	"C" BOX HEIGHT	"D" BOX MATL THICK (3mm, 4mm)	UL FLAME RATING (HB, VO, ETC)	UV COATING (OUTDOOR USE) (YES/NO)	EMI COATING INSIDE (SHIELDING)	PCB STANDOFF QUANTITY	SILKSCREENING REQUIRED



NOTE: COMPLETE ALL TAB INFORMATION AT TOP OF DRAWING & SKETCH APPROX HOLES ON BOX.

ENVISION KB #	UNLESS OTHERWISE SPECIFIED DIMENSIONS ARE IN INCHES		ENVISION PLASTICS & DESIGN	
	TOLERANCES ARE:		BOX QUOTE WORKSHEET	
CAD GENERATED DRAWING, DO NOT MANUALLY UPDATE DO NOT SCALE DRAWING	FRACTIONS	DECIMALS	ANGLES	L-SLIDE ENCLOSURE
	+/- 1/32	.XX +/- .02	+/- 1	
APPLICATION	MATL: PLASTIC	DATE	SIZE	DWG. NO.
SCALE: 1:1	FINISH: TEXTURE OUTSIDE	10/7/10	B	L_SLIDE_BOX_W_TABS -
	CADFILE: \\Engineering Files\Envision Solidworks\ENVISION\SAMPLES\WEBSITE\			REV.
				SHEET 1 OF 1